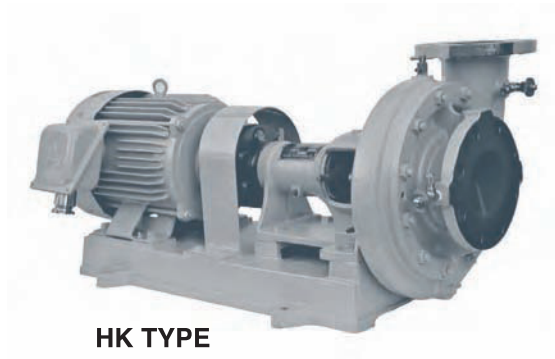


CENTRIFUGAL PUMP

HK Model



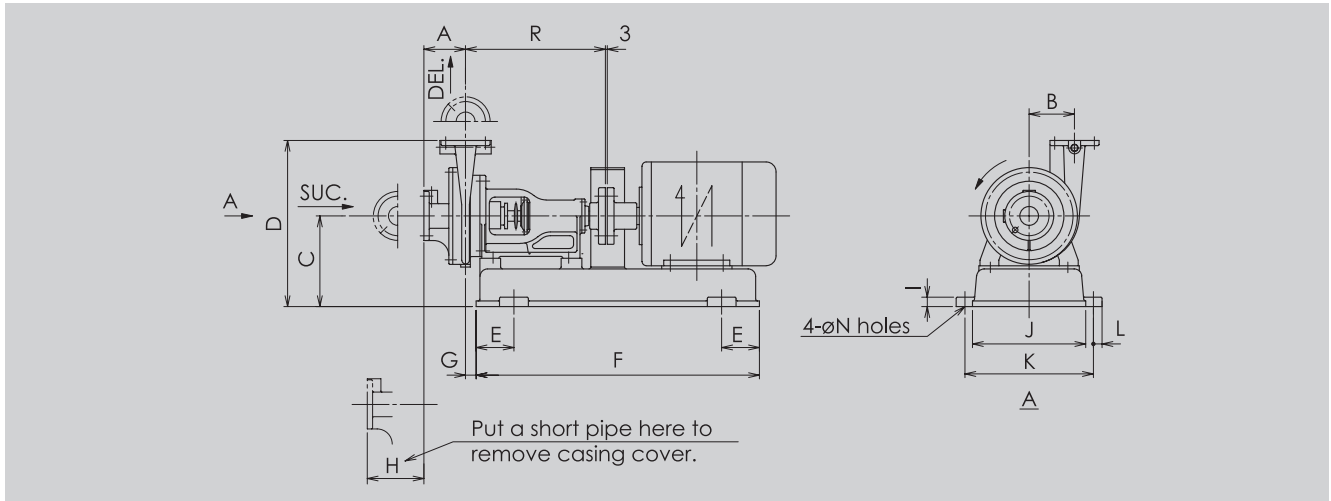
用途/Service

- | | |
|------------|-----------------------|
| * 清水ポンプ | * Fresh Water Pump |
| * 飲料水ポンプ | * Drinking Water Pump |
| * サニタリーポンプ | * Sanitary Pump |
| * 冷却水ポンプ | * Cooling Water Pump |
| * 海水ポンプ | * Sea Water Pump |
| * その他 | * Others |

OUTLINE DRAWING ▶

PERFORMANCE CHART ▶

HK Model <OUTLINE DRAWING>



Model	Motor (kW)	Bore		A	B	C	D	E	F	G	H	I	J	K	L	N	R	Mass (kg)					
		Suc.	Del.																				
■ HK-80J	18.5	125	125	156	205	290	580	150	960	35	Min 100	30	390	440	25	19	480	240					
	22																						
■ HK-90G	7.5					206.5	480	150	780		Min 100	25	300	340	23	15	425	210					
	11	125	125	148	180	231.5	505	175	860	35			360	400									
	15					231.5	505	175	900				360	400									
■ HK-120J	22							175	1000	65	Min 120	30	400	450	25	19	555	250					
	26	150	150	160	230	282.5	590		200	1050									60				
	30																						
■ HK-180E	15					246	590	150	950	40	Min 100	30	350	400	25	19	485	250					
	18.5	200	200	178	190	266	610	150	960				390	440									
	22					277.5	640	175	1000	70													
■ HK-220G	26					277.5	640	200	1050	65	Min 120	30	400	450	25	19	560	320					
	30	200	200	177	230	277.5	640	200	1050	65									30	400	450	25	19
	37					245.5	608	150	750	70									25	300	340	23	15
	18.5					255	640	175	1000	70									30	400	450	25	19
■ HK-300E	22					255	640	175	1000	70	Min 100	30	400	450	25	19	560	305					
	26	250	250	200	235	255	640	200	1050	65									30	400	450	25	19
	30					255	640	200	1050	65									30	400	450	25	19
	37					223	608	150	750	70									25	300	340	23	15

HK TYPE PERFORMANCE CHART

HORIZONTAL SINGLE STAGE SINGLE SUCTION

